

NXPTH

STAINLESS STEEL PAN & TILT

MAIN FEATURES

Made of AISI 316L electropolished stainless steel

IP66/IP67

Horizontal fixed speed 5°/s, vertical fixed speed 3°/s

Max. load 40kg balanced (88lb)

Presets potentiometers

Versions 24Vac and 230Vac, 50/60Hz

Suitable for NXM36, NXM, NXL, NTM, NTL and NTC housings

DESCRIPTION

Electropolished stainless steel Pan & Tilt unit designed for movement on horizontal and vertical axis.

The NXPTH, together with the stainless steel housings, is built to resist the most severe environments. It is developed for the offshore market, for every type of sea-going vessel and industrial applications.

Each detail has been carefully analysed, resulting a reliable product suitable for highly corrosive environments. The accurate mechanical construction and reliable motors utilized reduce the need of maintenance even in situations of heavy mechanical stress.

The NXPTH allows a maximum horizontal/vertical rotation of 340° and is equipped with potentiometers which allow the preset function.



NXPTH



NXM + VIPNX + NXPTH + NXFWBT + NXWBPTH1

AVAILABLE MODELS

Model Number	Power supply	Preset	Max consumption
NXPTH210	230Vac	✓	26W
NXPTH211	24Vac	✓	26W

TECHNICAL DATA

GENERAL

Constructed from electropolished stainless steel (austenitic alloy stainless steel, corrosion and heat resistant according to the following standards):

AISI 316L

UNI 6900-71: X 2 Cr Ni Mo 17 12 2

DIN 17006: X 2 Cr Ni Mo 17 13 2

N° werkstoff 1.4404

AFNOR: Z2 CND 17-12

BSI: 316S11

The screws utilised are in austenitic alloy stainless steel, corrosion and heat resistant according to the following standards:

- UNI 6900: X 5 Cr Ni Mo 1712
- AISI: 316
- ISO quality: A4
- Resistance class ISO: 80

UNI: Ente Nazionale Italiano di Unificazione, AISI: American Iron and Standard Institute, DIN: Deutsche Industrie Normen, AFNOR: Association Française de Normalisation, BSI: British Standard Institution, ISO: International Organization for Standardization.

MECHANICAL

Load rating: 40kg (88lb) max (balanced)

2Cable glands: 2xPG13.5 (nickel-plated brass for external connections)

External body polishing

Gaskets: O-ring

Horizontal plane movement: 0-340°

Horizontal speed: 5°/s

Pan dynamic torque: 35nm

Pan Static Torque: 12nm

Horizontal limit switches, internally adjustable

Vertical plane movement: 0-340°

Tilt speed: 3°/s

Tilt Dynamic Torque: 60nm

Tilt Static Torque: 24nm

Backlash: Pan 0.1°, Tilt 0.16°

Vertical limit switches, internally adjustable

Unit weight: 15kg / 33.5lb

ELECTRICAL

Power supply: IN 24/230Vac, 50/60Hz

Standard Preset

Standard vertical and horizontal potentiometers

Potentiometer linear multitrans (10 turns)

Horizontal motor consumption 13W max

Vertical motor consumption 13W max

ENVIRONMENT

Indoor/Outdoor

Operating temperature: -20°C / +50°C (-4°F / +122°F)

Salty fog resistance

CERTIFICATIONS

CE EN61000-6-3, EN60065, EN50130-4

IP66/IP67 EN60529

RELATED PRODUCTS

NXM Housing for installation in aggressive environments

NTM Housing for thermal cameras in aggressive environments

NXL Large housing for aggressive environments

NTL Large housing for thermal cameras

NTC Housing with thermal module for installations in harsh environments

non tradotto

DTMRX2 DTMRX Telemetry receiver 12 functions, 230Vac

DTMRX224 DTMRX224 Telemetry receiver 12 functions, 24Vac

DTRX3 DTRX3 Telemetry receiver 17 functions for series PTH300 + preset

DTRX324 DTRX324 Telemetry receiver 17 functions for PTH311 + preset

BRACKETS AND ADAPTORS

NXWBPTH1 Wall mount for heavy duty Stainless Steel P&T

NXFWBT AISI 316L stainless steel parapet mounting bracket

NXCOL AISI 316L stainless steel pole adapter module

NXCW AISI 316L stainless steel corner adapter module

SPARE PARTS

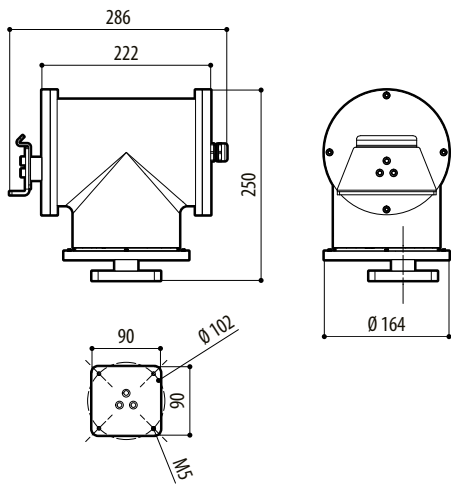
DOTNXPHT Maintenance kit for NXPHT

PACKAGE

Model Number	Weight	Dimensions (WxHxL)	Master carton
NXPHT210	15.5kg (34.2lb)		24x32x24.5cm
(9.4x12.6x9.6in)	-		

TECHNICAL DRAWINGS

Sizes in millimeters.



NXPTH

